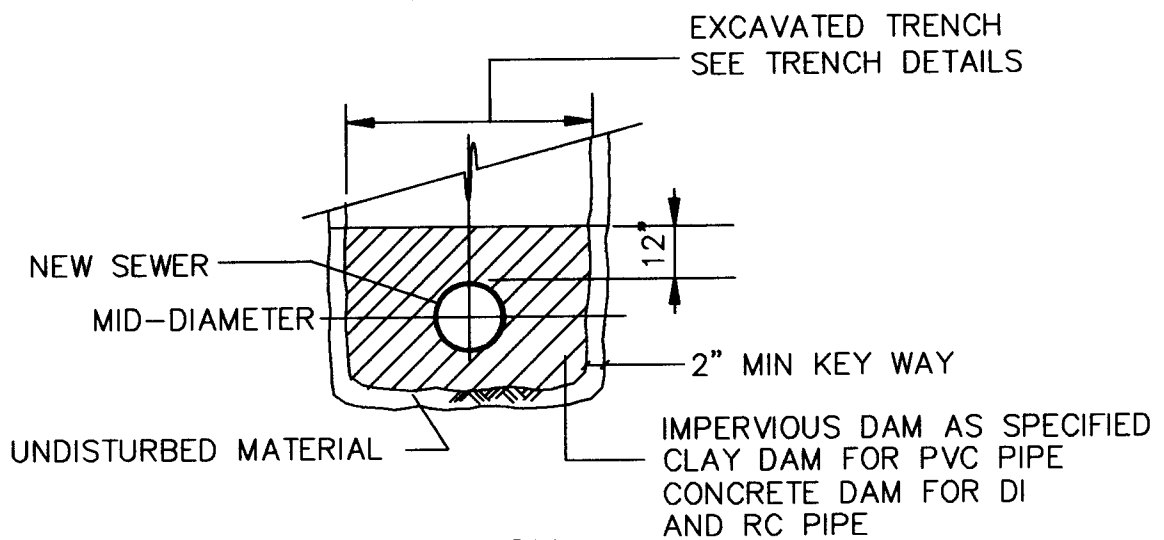


PLAN



SECTION

NOTE: FOR PIPES OTHER THAN PVC TOP OF DAM TO BE AT MID-DIAMETER OF PIPE.

SANITARY SEWER
PIPE TRENCH DAM DETAIL

N.T.S.