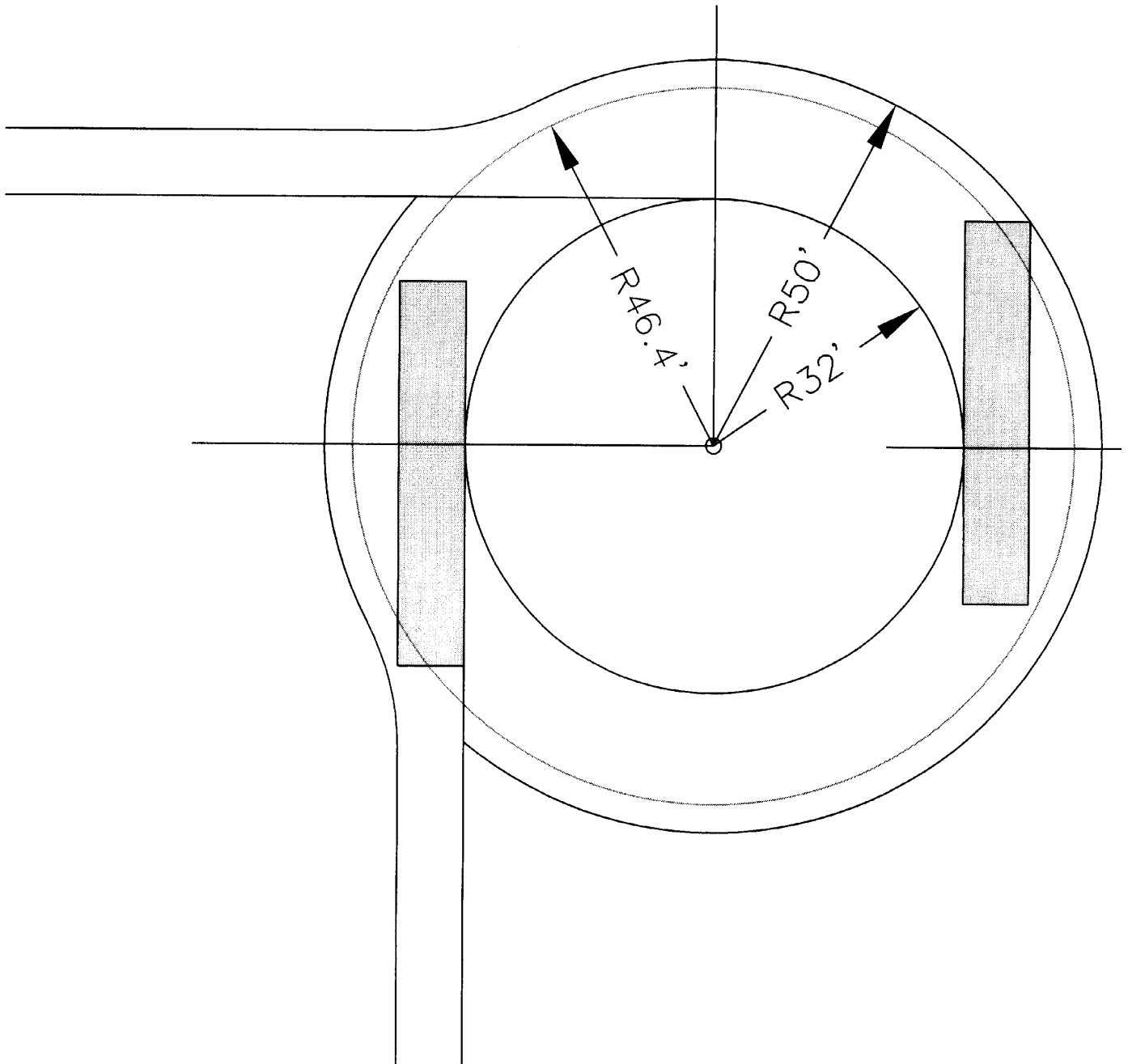
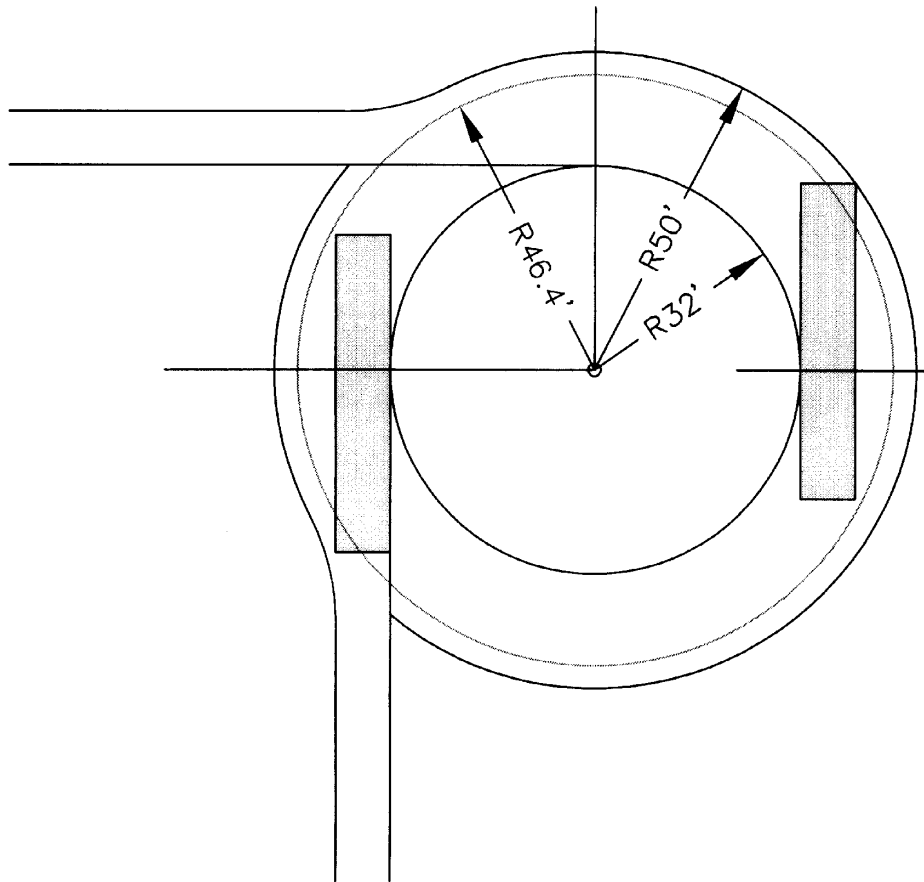


Town of Andover, Massachusetts  
Fire Truck Turning Radius  
Scale 1 inch = 20 feet



**DK** *DK Engineering Associates, Inc.*  
87 Indian Rock Road ~ P.O. Box 4260  
Windham, NH 03087-4260  
Tel (603) 898-8516 ~ Fax (603) 898-8497

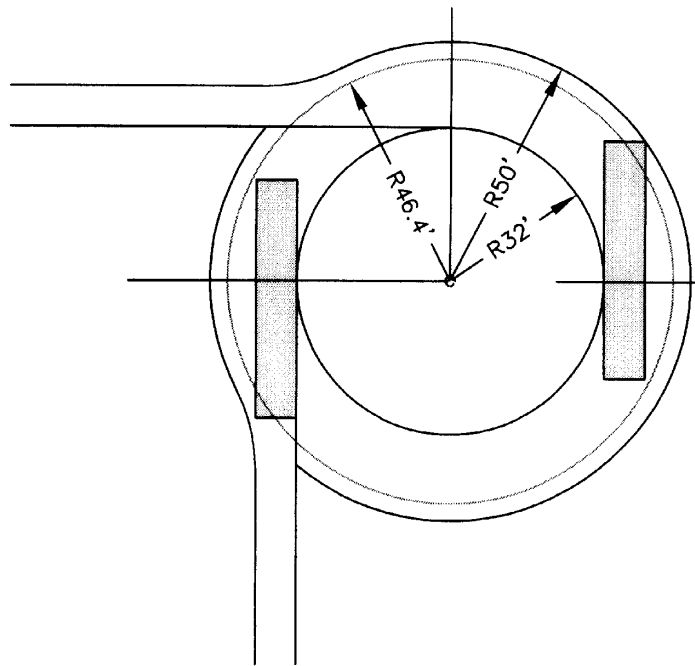
Town of Andover, Massachusetts  
Fire Truck Turning Radius  
Scale 1 inch = 30 feet



**DK** *DK Engineering Associates, Inc.*  
87 Indian Rock Road ~ P.O. Box 4260  
Windham, NH 03087-4260  
Tel (603) 898-8516 ~ Fax (603) 898-8497

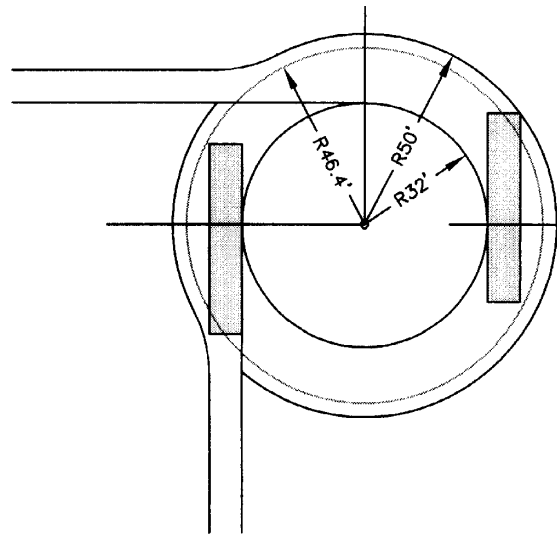
Drawing name: \\Server-01\Details\proj\dwg\dk\base sheets\Andover Fire Truck.dwg

Town of Andover, Massachusetts  
Fire Truck Turning Radius  
Scale 1 inch = 40 feet



**DK** *DK Engineering Associates, Inc.*  
87 Indian Rock Road ~ P.O. Box 4260  
Windham, NH 03087-4260  
Tel (603) 898-8516 ~ Fax (603) 898-8497

Town of Andover, Massachusetts  
Fire Truck Turning Radius  
Scale 1 inch = 50 feet

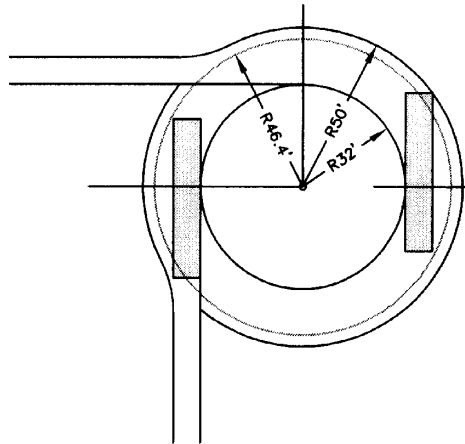


*DK Engineering Associates, Inc.*

87 Indian Rock Road ~ P.O. Box 4260  
Windham, NH 03087-4260  
Tel (603) 898-8516 ~ Fax (603) 898-8497

Drawing name: \\Server-01\Details\proj\dwg\dk\base sheets\Andover Fire Truck.dwg

Town of Andover, Massachusetts  
Fire Truck Turning Radius  
Scale 1 inch = 60 feet



**DK Engineering Associates, Inc.**

87 Indian Rock Road ~ P.O. Box 4260  
Windham, NH 03087-4260  
Tel (603) 898-8516 ~ Fax (603) 898-8497

Drawing name: \\Server-01\Details\proj\dwg\dk\base sheets\Andover Fire Truck.dwg